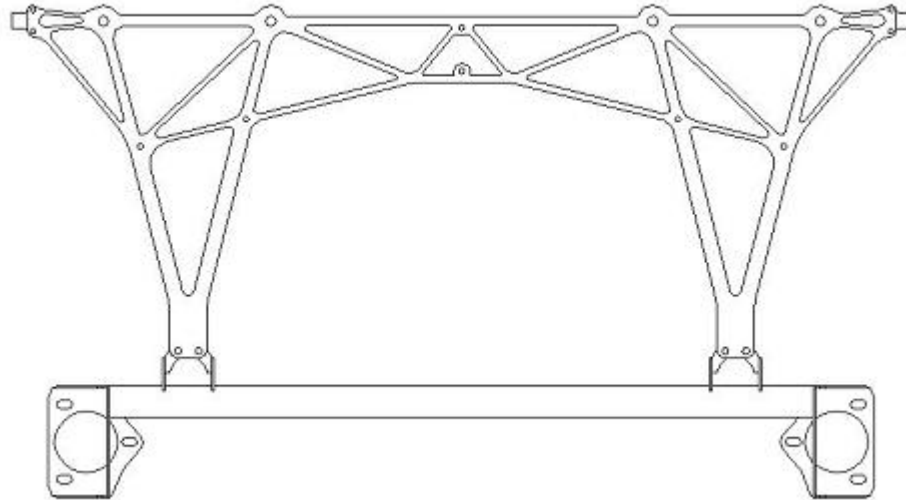


Brey-Krause Model R-1035 – Aluminum Harness Truss
For model 996 Porsche 911 Coupe



FIT CHART

This chart will clear up any confusion over which models of the Porsche 911 can accept the R-1035. If your car is not mentioned, it will probably not work with this product. Please consult our website or catalogue to see products for other vehicles. We offer parts to fit most Porsche models.

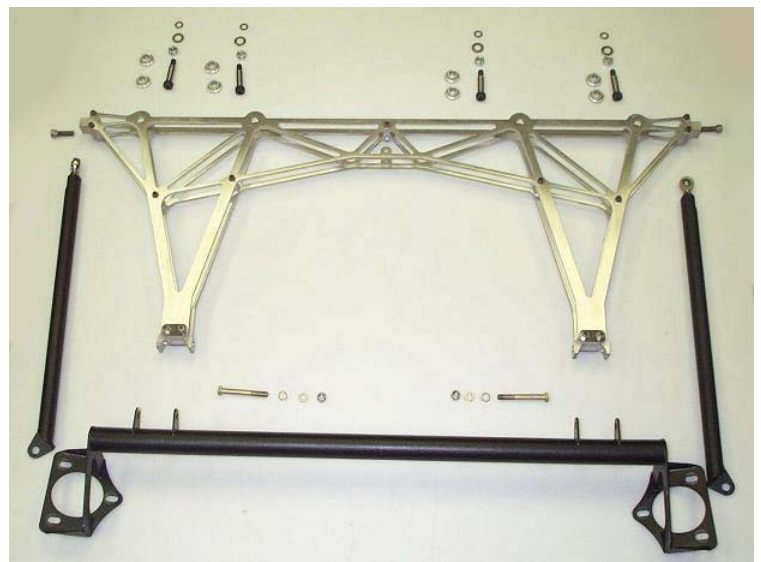
Fits out of the box	Fits with R-1031 Adaptor kit	Does not Fit
-996 Coupe (Carrera 2 and 4) -996 Targa -996 Turbo	-996 GT2 -996 GT3	-996 coupes with Bose rear speakers -996 Cabriolet -All pre-996 911 models

Additional required items not included in kit:

- 5 or 6-point racing harness with 3/16" thick bolt-in shoulder buckles
- Mounting hardware for waist and anti-sub strap belts (this hardware is available from Brey-Krause)

Package Contents

- Forward skeleton (1)
- Strut mounting tube (1)
- Left and right-hand support tubes (1 of each)
- 3/8-24 x 1.25" socket head cap screw (2)
- 3/8-24 x 3.00" hex bolt (2)
- M12 socket head shoulder bolt (4)
- M10 nylock nut (4)
- 1/2" washer (4)
- 3/8" washer (4)
- Aluminum half spacer (8)



Obligatory Warning Page



Oops! Try adjusting your air conditioning with a harness on and this could be you!

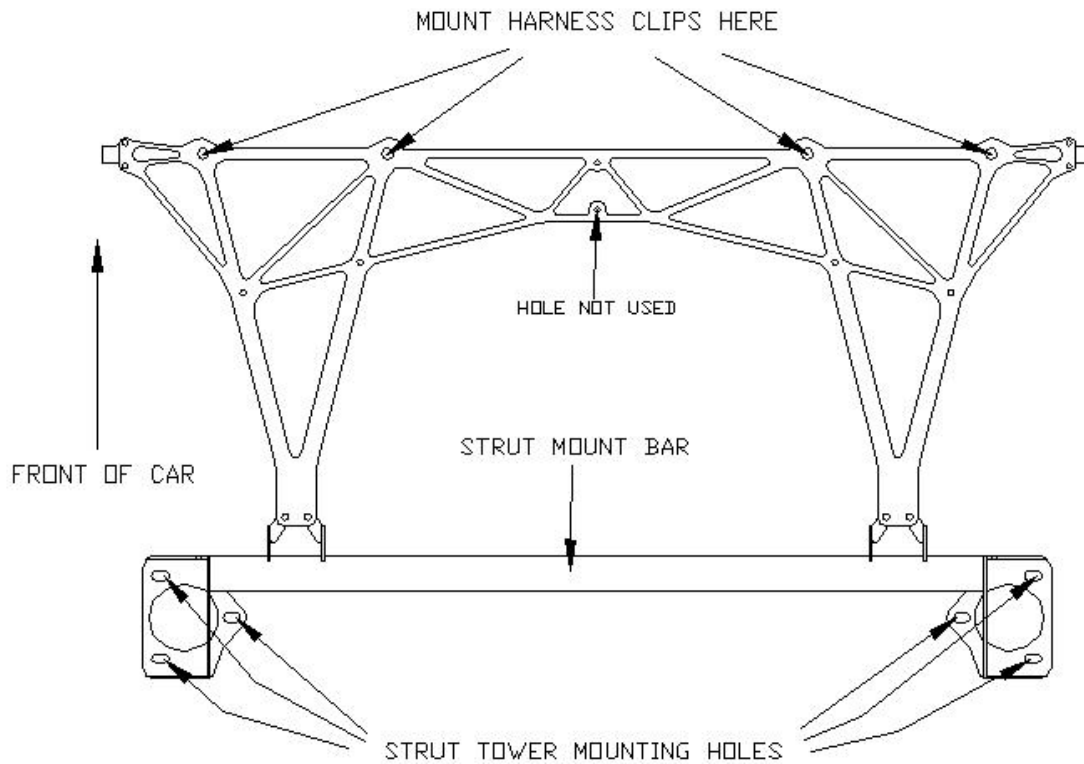
Racing harnesses are not meant for street use! A racing harness will severely restrict movement of the body, which can be inconvenient or hazardous for daily driving.

This product is not intended for full racetrack competition. Competitive and wheel-to-wheel events on a racetrack should only be done with a full roll bar or roll cage. This product is intended for driving instruction, track event days, autocross and similar events.

Driving on the racetrack is DANGEROUS by nature. Use of this product is not a guarantee of your safety. Serious injury or death can occur when driving your car on a racetrack, regardless of safety precautions you may take.

Brey-Krause Manufacturing co. shall not be held responsible for injury, death, vehicle damage and other types of damage resulting from the use or misuse of our products. This includes improper installation of this product. *Proper installation of these parts is critical to their functionality and should only be done by a professional shop.*

INSTALLATION INSTRUCTIONS

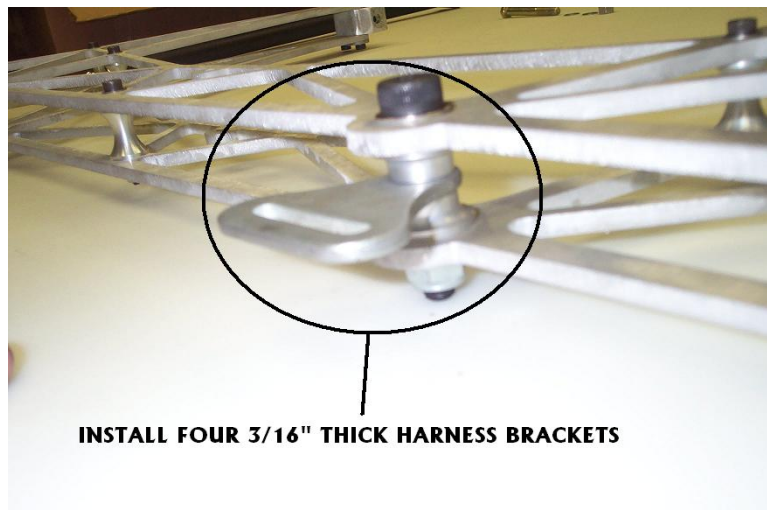


Step 1 (6mm allen wrench, 17mm wrench)

Remove the four large M10 socket head shoulder bolts, nuts and washers at the front of the mount, as well as the eight half-spacers they secure. Pay attention to the orientation of the bolts and spacers, as you will need to re-install them in the same positions.

Step 2 (6mm allen wrench, 17 mm wrench)

Install shoulder belt harness clips (not included) between the half-spacers where the shoulder bolts were previously mounted.



Step 3

Remove both rear and lower seat cushions. Fold down the rear seats. Remove trim above rear seats as shown to expose the rear strut mounts.

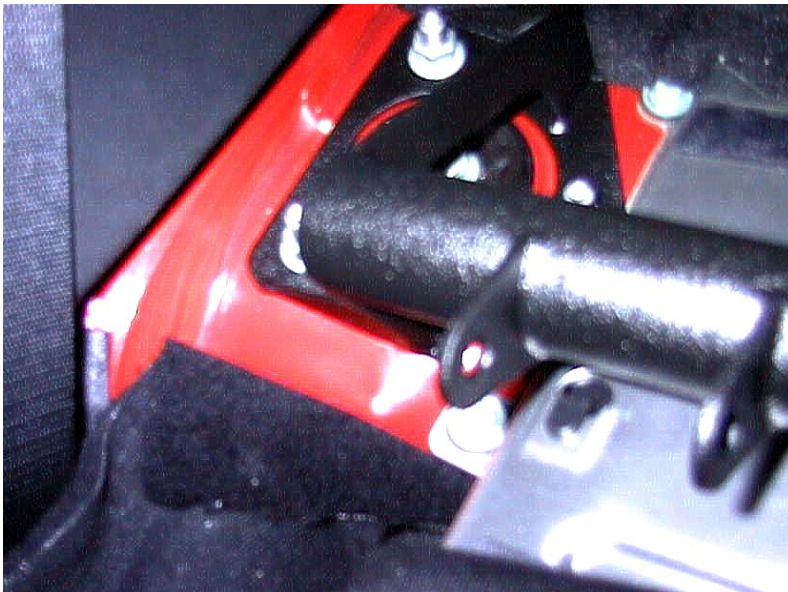
Step 4 (15 mm wrench)

Remove the rear strut mount nuts (3 on each side) and place them aside.



Step 5

Position the strut bar mount as shown over the exposed studs. The mounting tabs on the center bar should be facing towards the **front** of the car. It may be easier to detach the strut bar from the forward skeleton before performing this step.

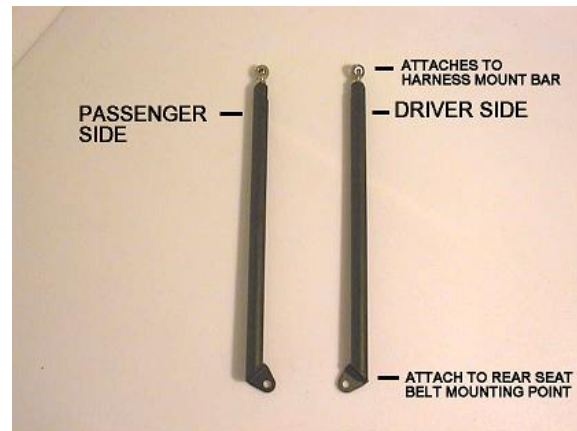


Step 6 (15 mm wrench, torque wrench)

Reinstall the nuts removed in step 2 over the strut bar brackets. Torque the nuts to 27 ft-lbs for 8mm nuts, or 33 ft-lbs for 10mm nuts

Step 7 (17 mm wrench, torque wrench)

Remove the lower back seat mounting bolts and hardware. For each side, position the support rod at the seat belt mounting hole, and reinstall the seat belt bracket **outside** of the support rod. Make sure the seat belt is not twisted when it is reinstalled.



Step 8 (two 9/16" wrenches, 5/16" allen wrench)

Re-attach the forward skeleton to the strut bar if it was removed previously. Use the supplied 1 1/4" long socket head cap screws to attach the support rods to the front of the skeleton. Note that the socket ends of all bolts on the skeleton EXCEPT those on the rearmost brackets should be facing **up**. The skeleton will not fit properly unless it is mounted in this fashion



Step 9

Test harnesses to ensure proper fit on your body.

Installation of your Brey-Krause harness bar is now complete. Now go hit the track!



HARNESS MOUNT REMOVAL

The main portion of this harness mount can be removed when not in use to permit access to the rear seats. To do this, remove the two strut bar bolts and two support rod bolts holding the main skeleton in place. The rear strut bar and support rods can remain in the vehicle at all times.

IMPORTANT! A NOTE ON ANTI-SUBMARINE STRAPS

We have seen many customers run anti-submarine straps around the front of a factory seat. We strongly recommend against this, as it will not properly restrain you in the event of an impact. If you do not have a racing seat with an anti-sub strap pass-through hole, you must use a six-point harness. The anti-sub strap belt attaches at the sides in the same location as the lap belts, and then comes up over the SIDES of the seat, under your legs. If you are in doubt as to the correct way to mount a harness, please consult a safety steward or other track official.