



👁 Note!

Please note that this image is a general representation of the product and may differ slightly from your product.

👁 Note!

Please note that during storage and transportation, especially at high ambient temperature, some of the oil and grease used for assembling may leak and stain the packaging. This is in no way detrimental to the product, wipe off the excessive oil/grease with a cloth.

Kit Contents

| Description | Pcs |
|-------------------------|-----|
| Shock absorber | 2 |
| Screw M6 | 2 |
| Adapter ring | 2 |
| Heat shrinkable end cap | 2 |
| Elastic spacer | 2 |
| Plastic spacer | 2 |
| Anti roll bar bracket | 2 |
| Spring 65/200/70 | 2 |
| Lock nut M14 | 2 |
| Dust boot | 2 |
| Sleeve | 2 |
| Lock ring | 4 |
| Lower spring seat | 2 |

Used for both front and rear

| | |
|------------------|---|
| C-spanner single | 2 |
| Sticker set R&T | 1 |
| Owner's manual | 1 |

👁 Note!

Before installing this product, check the contents of the kit. If anything is missing, please contact an Öhlins dealer.

⚠ Warning!

Before installing this product, read the Öhlins Owner's Manual. The shock absorber/front fork/steering damper is an important part of your vehicle and will affect the stability.

Shock absorber for Porsche 911 Carrera 4/ Turbo (997)

POZ MN05 front

Mounting Instructions



MOUNTING INSTRUCTIONS

⚠ Warning!

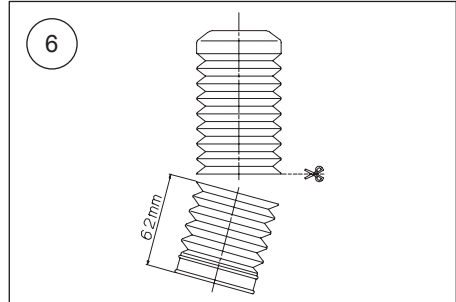
It is advisable to have an Öhlins dealer install the shock absorber/front fork/steering damper.

⚠ Warning!

If working on a raised vehicle, ensure it is securely supported so that it will not tip.

👁 Note!

When working on this product, always see the Vehicle Service Manual for vehicle specific procedures and important data.



1

Raise the vehicle, use jack stands.

2

Remove the front wheels.

👋 Caution!

Support the wheel hubs on each side of the vehicle not to damage the brake hoses.

3

Remove the anti roll bar link, brake hose attachment and PASM wires, if any.

👁 Note!

If the vehicle is equipped with PASM dampers, disable the PASM function in the ECU to avoid error codes from appearing.

4

Remove the brake caliper and support it not to damage the brake hose. We recommend to support the brake caliper with a piece of bent welding rod.

5

Loosen the lower and upper strut attachment bolts. Remove the original struts from the vehicle.

6

Cut the dust boot 62 mm from the lower end according to the figure.

MOUNTING INSTRUCTIONS

7

Assemble the shock absorber according to the figure. Install the Öhlins McPherson struts on the vehicle according to the vehicle service manual. If the vehicle is equipped with PASM, carefully shrink the heat shrinkable end cap over the PASM connector to protect it.

Note!

Open the rebound adjuster and compress the shock absorber. With the shock absorber compressed, close the rebound adjuster before installing it to the vehicle.

8

Position the anti roll bar bracket according to the figure.

9

Raise the wheel hub with a jack to ensure that the height adjuster is correctly seated on top of the hub carrier/upright.

10

Tighten:

Lower spring seat and lock ring: 50-60 Nm

Lock nut: 35-40 Nm

Anti roll bar bracket screw: 12-15 Nm

Note!

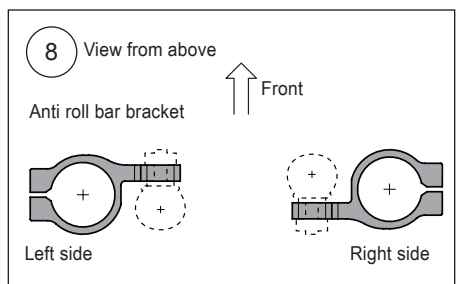
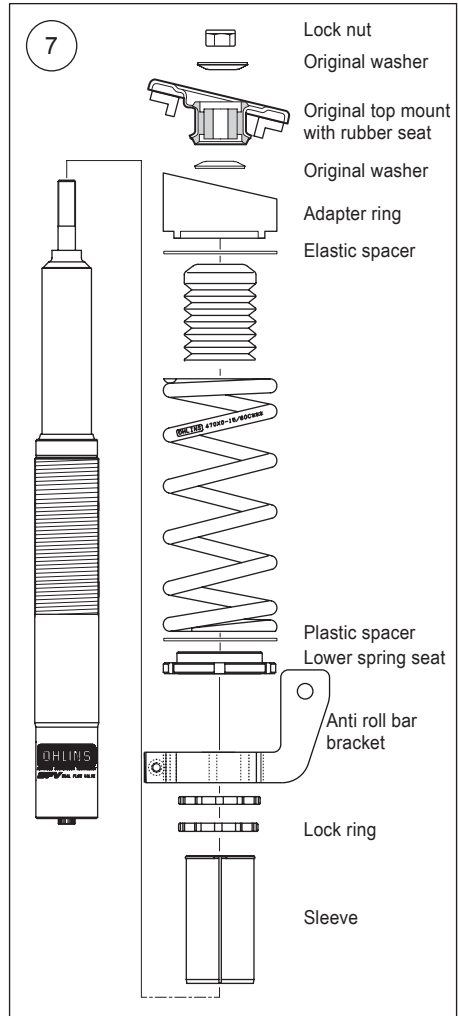
When tightening the top mount nut, the shock absorber shaft must be held in position with a 6 mm Allen key.

Caution!

Ensure that all screws are tightened to the correct torque and that nothing fouls or restricts movement of the shock absorber/front fork/steering damper when the suspension is fully compressed or extended.

11

Make sure that all removed parts are reinstalled in the same way as they were before the installation of the Öhlins shock absorbers.



ADJUSTMENTS

⚠ Warning!

Before driving, always make sure that the basic settings made by Öhlins are according to recommended Set-up Data. Read about adjustments and setting up in the Öhlins Owner's Manual before you make any adjustments. Contact an Öhlins dealer if you have any questions about setting up.

SETUP DATA

Rebound setting

| | | |
|--------------|-------|--------|
| Track | 0-7 | clicks |
| Winding road | 5-10 | clicks |
| Street | 10-20 | clicks |

Spring preload 2 mm

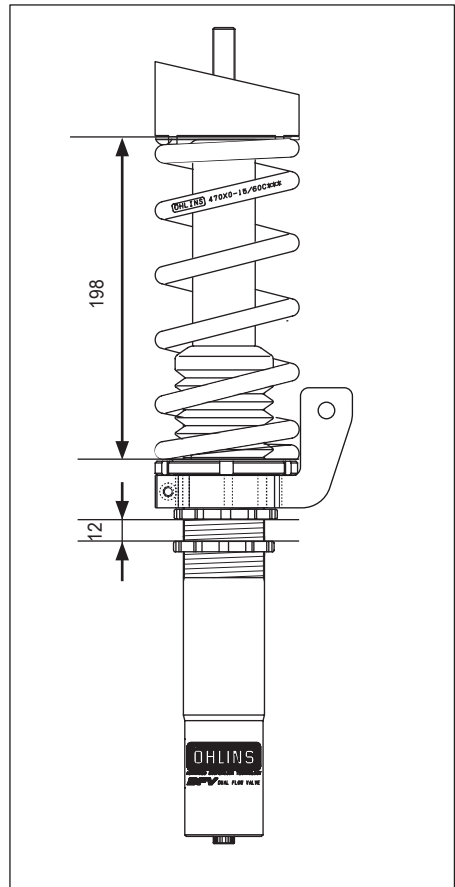
Spring

| | | |
|------------------|-----|------|
| Free length | 200 | mm |
| Installed length | 198 | mm |
| Spec H200/ 65 | 70 | N/mm |

Vehicle Height

With the preload and height adjustments in standard positions, the vehicle is lowered approximately 5 mm compared to the original suspension.

Height adjustment range: Standard position ± 12 mm.



👁 Öhlins products are subject to continuous improvement and development, therefore, although these instructions include the most up-to-date information available at the time of printing, minor updates may occur.

To find the latest information contact an Öhlins distributor. Please contact Öhlins if you have any questions regarding the contents in this document.

Part no. MI_POZMN05_front_0
Issued 2013-09-09



© Öhlins Racing AB. All rights reserved. Any reprinting or unauthorized use without the written permission of Öhlins Racing AB is prohibited.

Öhlins Racing AB
Box 722
S-194 27 Upplands Väsby, Sweden
Phone +46 8 590 025 00
fax +46 8 590 025 80



www.ohlins.com



Kit Contents

| Description | Pcs |
|-------------------------|-----|
| Shock absorber | 2 |
| Heat shrinkable end cap | 2 |
| Elastic spacer | 2 |
| Plastic spacer | 2 |
| Adapter ring | 2 |
| Spring 65/200/120 | 2 |
| Lock nut M12 | 2 |
| Washer | 2 |
| Dust boot | 2 |
| Lower spring seat | 2 |
| Lock ring | 4 |

C-spanners and Owner's manual included in POZMN05 front.

Note!

Please note that this image is a general representation of the product and may differ slightly from your product.

Note!

Please note that during storage and transportation, especially at high ambient temperature, some of the oil and grease used for assembling may leak and stain the packaging. This is in no way detrimental to the product, wipe off the excessive oil/grease with a cloth.

Note!

Before installing this product, check the contents of the kit. If anything is missing, please contact an Öhlins dealer.

Warning!

Before installing this product, read the Öhlins Owner's Manual. The shock absorber/front fork/steering damper is an important part of your vehicle and will affect the stability.

Shock absorber for Porsche 911 Carrera 4/ Turbo

POZ MN05 rear

Mounting Instructions

MOUNTING INSTRUCTIONS

⚠ Warning!

It is advisable to have an Öhlins dealer install the shock absorber/front fork/steering damper.

⚠ Warning!

When working on a raised vehicle, ensure it is securely supported so that it will not tip.

👁 Note!

When working on this product, always see the Vehicle Service Manual for vehicle specific procedures and important data.

1

Raise the vehicle, use jack stands.

2

Remove the rear wheels. Remove the carpeting section behind the rear seat to reach the upper shock absorber attachments.

3

Remove the lower and upper attachments and remove the original shock absorbers. If removing PASM dampers, disable the PASM function in the ECU to avoid error codes to appear. Please contact a Porsche service center.

4

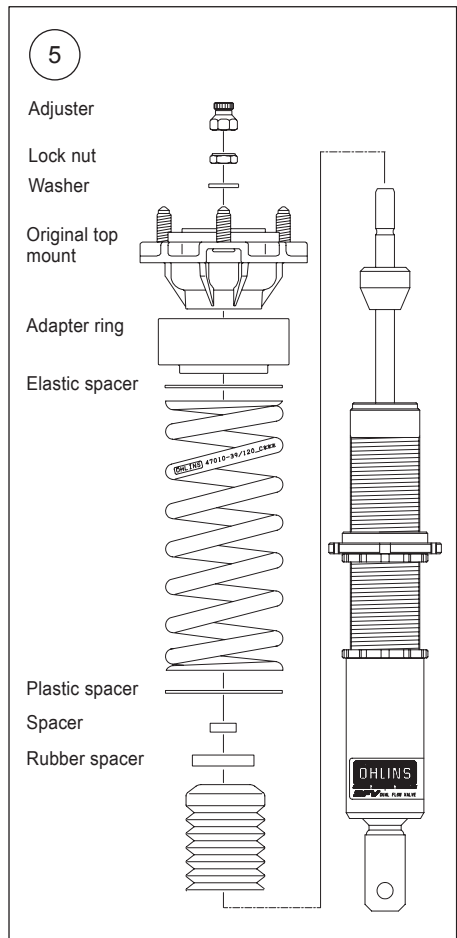
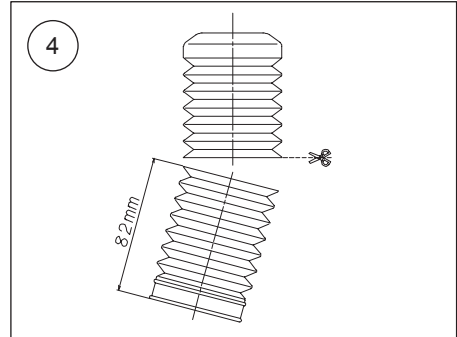
Cut the dust boot 82 mm from the lower end according to the figure.

5

Assemble the shock absorber according to the figure. Install the Öhlins shock absorbers on the vehicle according to the vehicle service manual. If the vehicle is equipped with PASM, carefully shrink the heat shrinkable end cap over the PASM connector to protect it.

👁 Note!

Install the boot between the rubber spacer and the bump stop. See figure 5b.



MOUNTING INSTRUCTIONS

Note!

When tightening the top mount nut, the shock absorber shaft must be held in position with a flat screwdriver.

6

Tighten:

Lower spring seat and lock ring: 50-60 Nm

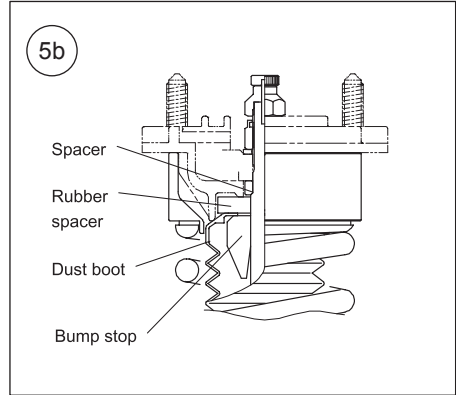
Lock nut: 30 Nm

Caution!

Ensure that all screws are tightened to the correct torque and that nothing fouls or restricts movement of the shock absorber/front fork/steering damper when the suspension is fully compressed or extended.

7

Make sure that all removed parts are reinstalled in the same way as they were before the installation of the Öhlins shock absorbers.



ADJUSTMENTS

⚠ Warning!

Before driving, always make sure that the basic settings made by Öhlins are according to recommended Set-up Data. Read about adjustments and setting up in the Öhlins Owner's Manual before you make any adjustments. Contact an Öhlins dealer if you have any questions about setting up.

SETUP DATA

Rebound setting

| | | |
|----------------|-------|--------|
| Track | 0-7 | clicks |
| Winding road | 5-10 | clicks |
| Street | 10-20 | clicks |
| Spring preload | 2 | mm |

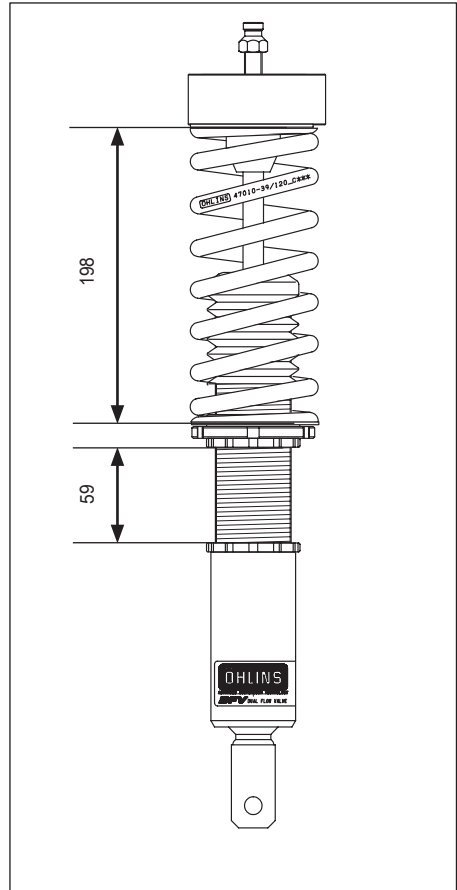
Spring

| | | |
|------------------|-----|------|
| Free length | 200 | mm |
| Installed length | 198 | mm |
| Spec H200/ 65 | 120 | N/mm |

Vehicle Height

With the preload and height adjustments in standard positions, the vehicle is lowered approximately 5 mm compared to the original suspension.

Height adjustment range: Standard position -8 to +15 mm.



👁 Öhlins products are subject to continuous improvement and development, therefore, although these instructions include the most up-to-date information available at the time of printing, minor updates may occur.

To find the latest information contact an Öhlins distributor. Please contact Öhlins if you have any questions regarding the contents in this document.

Part no. MI_POZMN05_rear_0
Issued 2013-09-09



© Öhlins Racing AB. All rights reserved. Any reprinting or unauthorized use without the written permission of Öhlins Racing AB is prohibited.

Öhlins Racing AB
Box 722
S-194 27 Upplands Väsby, Sweden
Phone +46 8 590 025 00
fax +46 8 590 025 80



www.ohlins.com